

Company Profile

Of

WASO Engineers & Consultants (BD) Ltd.

(Since 2004)

One Stop Solution for any Industrial Project Consultation

Tridhara Tower (3rd Floor)
67, West Panthapath (Rusel Square), Dhaka- 1205
Phone : +88-02-9111330, 9101874
Mobile : 01966-606752, 01970-435377
e-mail : waso@wasobd.net; enr.wadud@yahoo.com
web : www.wasobd.net

COMPANY PROFILE

WASO Engineers & Consultants (BD) Ltd. (WASO) is serving its clients since 16 years with integrity, technical excellence, and professionalism. The Firm offers unmatched diversity with a strong commitment to client service and a demonstrated ability to solve complicated industrial problems.

The associates and corporate systems of the Firm are always at the service of its valued clients.

Corporate History:

WASO is a Industrial Consulting & Engineering Firm serving all over Bangladesh since 2004 to till date. Virtually, it was established in 1998 by Engr. Abdul Wadud, B.Sc. in Engg. as a sole proprietorship concern (Namely: WASO Engineers & Consultants (BD) Ltd.), the Firm initially undertook Textile & Garment Industries sector in & around Dhaka. Meanwhile, to meet up the extreme growingly demand for industrial consultation & assistance services particularly in the textile sector, the Firm has gradually included several types of services actually required for setting up Industries in case of both pro consultancy services & in the Turn Key development.

In 1998, the firm focused primarily on Textile Industry Sector such as Spinning, weaving, Denim, Dyeing & Finishing, Knit Composite, Garments & Sweater projects etc. During this period, this Firm has been associated with a number of reputed groups of companies.

As the economy of the firm began to improve, acquired and became proficient in utilizing leading-edge technology for surveying, mapping, design and CAD and instituted a quality policy for constant up-gradation of both its skills and equipment base.

WASO is now particularly involved in every phases of setting up an industry, ranging from Concept (feasibility stage) to the Commercial production. The firm also offers Project Engineering Management services, beginning with the collection of project data and continuing throughout different stages of development up-to completion. This Project Engineering Management provides our clients with reliable guidance and supervision and also ensures their interests with specific circumstances are being taken care of properly.

WASO enjoys an enviable record of producing practical and efficient designs, which have proven to be a great advantages to our valued clients.

The technical expertise & experience enable the Firm to provide efficient designs yielding the cost of construction very much economical & all at very competitive Price.

Principal and Associates:



Engr. Abdul Wadud

B.Sc in Engg., FIEB, MBA

Managing Director & Company Founder.

Career Snapshot :

- ☞ Engr. Abdul Wadud is the Managing Director & CEO of (1) WASO Engineers & Consultants (BD) Ltd. & (2) WASO Credit Rating Company (BD) Ltd.
- ☞ Engr. Wadud has an overall 29 years of textile and apparel sector experience working in own consulting firm as well as in various reputed industrial projects in Bangladesh since 1990.

Industrial Experiences :

Self Employment History (2004 to till Date):

1. WASO Engineers & Consultants (BD) Ltd.

Position: Managing Director & CEO (Since 2004 to till date)

Address: Tridhara Tower (3rd Floor), 67, West Panthapath (Rusel Square), Dhaka- 1205.

E-mail : waso@wasobd.net ; engr.wadud@yahoo.com

Web : www.wasobd.net

❖ This Company got registration from RJSC **in the year 2004** to perform the Business activities as Engineering Consultants in the fields of Industrial sector since then. Ranges of services are expanded from concept development to commercialization going through the Feasibility Study Report including Master Plan, Machinery Layout, Architectural Plan, Structural & MEP Support in all respect.

❖ By now, the Company has conducted more than **4000 Feasibility Study Reports** in various industrial sectors (**About-100+ Types**).

❖ The Company has a number of professional experts like qualified CA, CMA, Architects, Structural Engineers, Electrical Engineers, Mechanical Engineers, Chemical Engineers, CAD Operator, 3D Modular, Fire Designer etc. on full time basis employment to carry out various Planning, Designing and for preparing Feasibility Study Reports.

❖ This Company has also completed more than 500 Industrial projects from its inception (year 2004) to till date Providing A to Z Consultation Services (Concept to commercialization). **The projects include all types of Composite Textiles, Garments, General Chemicals, Petrochemicals, Textile Dyes Chemicals, Ceramics, Cement Mills, Footwear & Leather Craft, Food Beverage & Agro Based Industries, Fractionation Plant, LPG, Pharmaceuticals, Hospitals, Paper Mills, Jute & it's Diversified Plant, Power Plant, PSF, Float Glass Manufacturing Plant, Sugar Mill, Bicycle Manufacturing Plant, Salt Processing Plant, Soda Ash, Caustic Soda, Hydrogen Peroxide, PVC Resin Manufacturing Plant, Steel & Re-rolling Mills etc.**

❖ This Company has also got enlistment as Task Force for performing of Detail Engineering Assessment (DEA) for RMG Factories from DIFE (**Ministry of Labor & Employment** Vide Memo No: কা:/টে:ক:আরএমজি/২০১৪/২৫৭/ম:পরি:/ dated on 01.06.2015).

❖ In addition, Detail Engineering Assessment of 70+ Garments Factories were done by WASO Engineers & Consultants (BD) Ltd. under the guidance of Alliance (USA) & ACCORD (UK)

Description of Services Provided in the Industrial Projects:

- Cost Benefit Analysis in details
- Feasibility Study Report / Project Profile.
- Master Plan.
- Machinery Layout Plan as per compliance.
- All sorts of Architectural Design & Drawing.
- All sorts of Structural Design & Drawing.
- Mechanical, Electrical & Plumbing (MEP) Design & Drawing.
- Assistance in Machinery Selection.
- HVAC Design & Drawing.
- Fire Detection & Protection Design & Drawing.
- Total Cost Estimation of the project followed by BOQM in details.
- Periodic Top Supervision / Close supervision of project during the execution.

2. WASO Credit Rating Company (BD) Ltd.

Position: Managing Director & CEO (Since 2009 to till date)

Address: Pantha Plaza (Level-4), 68, West Panthapath, Kalabagan, Dhaka- 1205.

E-mail : wasocreditrating@gmail.com

❖ WASO Credit Rating Company (BD) Ltd. ("WCRCL") was incorporated as a public Limited company under the Office of the Registrar of Joint Stock Companies and Firms in July of 2009. With the license from the Securities & Exchange Commission (SEC) of Bangladesh to operate as a credit rating company, WCRCL had officially started its journey on **15th of February, 2012**. It has also been recognized as

an **External Credit Assessment Institution (ECAI)** by the Central Bank of Bangladesh (**Bangladesh Bank**) in October **2012**.

❖ WASO is fully independent and transparent in its operations and is entitled to rate Banks and Fls, PSEs, Insurance, Corporate and Debt Instruments. The WCRCL team has been formed with the experienced professionals & Specialists from different disciplines with the highest levels of ethics and integrity.

❖ This company also has a numbers of professional employees like qualified CA, CMA, MBA & other Business Professionals to perform regular rating activities according to the guidance of **Bangladesh Bank & BSEC**.

❖ The Company by now has provided Credit Rating Services to more than **9000 clients**.

The Services Offered by this Company is as follows:-

- i. Entity Rating
- ii. Issue Specific Rating
- iii. Due Diligence Services
- iv. Bank & Fls Rating
- v. Claim Paying Ability Rating

Employment History (1990 - 2004):

3. Services in Private Sector Companies:

After completion of education in engineering, I got myself involved into the private sector employment in various reputed companies in the country. The responsibility revolved around Installation, Commissioning, Operation, Maintenance, Repairing & Fault Dictation of all Parts/

Machineries, which gave me the scope of clearly understanding in implementation of theoretical knowledge into the practical ground. As an Engineer, though my employment was in the engineering department, but due to having interest of doing business, I went beyond the departmental activities and took interests in other sides of the operations. It helped me gather wide spread experiences and understand the operational intricacies involved in the large sized business ventures and industries. List of my private enterprises work employment are as follows:

- Opex & Sinha Textile Group as an Engineering-Manager (2000-2004)
- Monno Fabrics Ltd. - A Woven Composite Textile Mills - as an Engineering Manager (1996-2000)
- Sreepur Textile Mills Ltd. as an Electrical Engineer (1993-1995)
- Comilla Spinning Mills Ltd. as an Electrical Engineer (1994-1996)
- Tomizuddinn Textile Mills Ltd. as an Electrical Engineer (1990-1994).

Affiliation with the Professional Bodies:

- ✓ Member of **Institution of Engineers Bangladesh**
- ✓ Membership No. **IEB#F-10538**.



Mrs. Shamima Wadud, M.A

Director (Finance & Admin), DU

Mrs. Shamima Wadud, Post Graduated with a Masters of Arts, from a reputed University in 1994. She came from a reputed & rich Muslim family of Gopalganj. After completion her post graduation, she began his career as a social worker & an active member of various social organization & clubs. She is a good organizer. In mid of 2004, she joined in **WASO** Engineers & Consultants (BD) Ltd. as a Director (Finance).



Salahuddin Ahmed

B.Sc. in Textile (PGDIM, FIEB), BUTT

Director (Textile)

Career Snapshot :

- ☞ Engr. Salahuddin Ahmed is Director (Technical) of WASO Engineers & Consultants (BD) Ltd.
- ☞ Engr. Salahuddin Ahmed has more than 25 years of industrial experience of textiles in BTMC and various reputed expert oriented private textile industries in Bangladesh as a Textile Engineer, Manager, Deputy General Manager & General Manager and 7 years experience of consultancy service of various textile apparel sector.

Industrial Experiences :

- ☞ Engr. Salahuddin has more than 25 years experience in production, planning, erection and BMRE of various Textile Mills under BTMC and private sector.
- ☞ He has been employed with company like Jamuna Group, Mother Group, Sinha Textile Group, Sunman Group and BTMC (Bangladesh Textile Mills Corporation).
- ☞ He was also involved in production planning, finalizing yearly budgets, preparation & production under market reports on principals, providing technical supports of marketing team member, co-ordination for delivery planning, pricing of product, commercial matter, organizing technical training programmes for production and marketing peoples. His responsibility also include quality production sales promoter efforts such as organizing training programe and seminars, presenting technical papers of various seminars.
- ☞ In 25 years of his carrier he has been trained spinning, weaving, dyeing & printing machines and visited various textile machine manufactures for product orientation programme.



Md. Abdul Majid

B.Sc. Engg. (Civil), MBA

IEB # F-4611

Adviser

Mr. M. A. Majid obtained MBA in 1999 and B.Sc. in Civil Engineering in 1980. He has 30 years of working experience and he is very much knowledgeable on structural design drawings. His major experiences are :

As a National Consultants, In-Depth Monitoring of the Project Titled (i) Reconstruction of Government Primary Schools (2nd Phase), 5600 nos; (ii) “Transformation of Existing Non-Government Schools into Model Schools in Selected 306 Upazila Headquarters”, Education and Social Sector under IMED;

As a Civil Engineering Specialist, Design and Procurement Related Works to (Avian Influenza Preparedness and Response Project”, funded by World Bank;

As a Director (Planning & Procurement), Construction of 20 storeid Jagannath Biswabiddalay Building, Ministry of Education, GOB;

As a Project Director, Construction of 10 Government Educational Institutions under Ministry of Education; Construction of Selected Madrasas including National University’s Sixteen Storied Building at Gazipur under Assistance of Islamic Development Bank (IDB) under Ministry of Education.

As a Executive Engineer, Design Section, Preparation of Structural Design Drawings under Education Engineering Department, Ministry of Education.



Nesar U Sikder

B.sc. Textile Engineering, BUTT

Sr. Consulting Engineer in Textile Wet Process

Career Snapshot :

- Nesar U Sikder is a Sr. Consulting Engineer in Textile wet Process.
- Nesar U Sikder has an over all 20 years working experience in direct Production in 100% export oriented reputed Textile Industries and 5 years with WASO, a well known consulting firm in Bangladesh.

Industrial Experiences :

1. Nesar U Sikder has 20 years hands on experience in Production and Technical management with different export oriented Textile Industries.
2. He is one of the rare consultants cognigents on all reputed technologies for technical Textile and is Promoting technical Textile in Bangladesh for past 15 years.
3. Working with reputed Global Textile Market players like H & M, M & S, Wall Marts, Carifour, S.Oliver, Spirit, Jara, etc type of European, USA, Canada, Japanese etc types buyers maintaining quality satisfaction of the said buyers.
4. He worked as CEO of Deferent reputed Textile wet process industries for last Ten years.
5. He worked for Textile woven Dyeing, Printing, Finishing of Special criteria, Knit Dyeing, Printing, Yarn dyeing, Denim Processing Garment dyeing, garment washing etc with efficient and success full performance.
6. He has strong experience of working with European, Korean, Taiwan, Japanies, Germany, Chines and Indian wet processing, machineries as well as comparative performances of different origin machineries evaluation and Secrutinisation.
7. Nesar U Sikder is a Senior Member of AATCC (American Association of Textile Chemist and Colourist).

**Engr. Md. Golam Kibria**

B.Sc. in Jute Technology, BUTT

Sr. Consulting Engineer (Jute Technology)

Career Snapshot:

- Engr. Md. Gloam Kibria is the Proprietor & Chief Executive of Global Environmental & Textile Technological Services
- Engr. Md. Gloam Kibria has an overall 20 years working experience in Jute Twine, Composite & Carpet Backing Fabrics in different medium & large factories in Bangladesh on production and quality control department.

Other's Experience:

- Engr. Md. Gloam Kibria has involved in erection, installation works of Textiles, WTP, ETP machineries successfully since 2002 to till date. He also trained in DOE on Environment pollution control management for Textiles and different industrial section.



Md. Saikhul Alam Talukder

Master Applied, Chemistry, DU

Sr. Consulting Chemical Engineer (Food & Beverage)

Carrier Snapshot:

Md. Saikhul Alam Talukder has earned 18 years long experiences in Dairy, Food and Beverage Industries. He worked in Quality Control, Quality Assurance & Compliance, Product formulation & Development, Production department in the biggest food and food processing companies in Bangladesh. He held the position of Asst. Quality Control Officer, Quality Control Officer, Quality Control Manager, Quality Assurance & Compliance Manager, Production Manager, Plant operation Head and General Manager.

Industrial Experience:

- ❖ In the long carrier of 18 years, Mr. Talukder worked in Total Quality Control & Quality Assurance Management, Product formulation & Development department, Production Management and Compliance Management in big and reputed organization Like Danish Condensed Milk, PRAN Company, PROME Agro Foods Ltd. and Atlas Food and Beverage Ltd. He handled more than 50 varieties of food products. He has exposure in process designing, drawing process flow sheet, determining process parameter, determining CCPs of HACCP, PRP & OPRP of FSMS. Also worked in production planning, manpower setting/allocation, raw materials planning, inventory control, costing of products.
- ❖ He is expert in selecting proper raw material, setting their standard parameters. He has a very expert hand in chemical and biochemical analysis of raw and finished product. He is expert in writing job description, work instruction, production manual, QC manual, procedure for testing of incoming material and out going finished products.
- ❖ He received high profile training on **ISO-9001:2000**, **HACCP**, **ISO-22000: 2005F SMS**, **MGP**, **ISO17025: 2005** (Preparation Of Laboratory For Accreditation), **WCM** (World Class Manufacturing), **5S & Kaizen** from expert of home and abroad. Capable of maintaining 100 % food safety procedure. Possesses sound knowledge in handling customers' complaints.
- ❖ Expert in conducting training to production people, QC people, maintenance people on total food safety, hygiene and cleanliness. Providing technical support to distribution and marketing people as to safe handling and distribution of finished products. Working with marketing people, attending to various program and seminar with presentation of technical paper
- ❖ Assisting purchase people to select the right materials to be purchased. Assuring the quality of incoming and out going materials.



Md. Saiful Islam

B.Sc in Engg. (Mech.), MIEB, DUET
Sr. Engr. (E.M.E & Air Conditioning Division)

Md. Saiful Islam is a Graduate in Mechanical Engineering from Bangladesh institute of Technology, Dhaka in 1998. He began his Engineering career as Maintenance Engineer in Beximco Padma Textile Mills Ltd. in 1997 to 2005. He joined in Pubani Fabrics Limited as Maintenance Engineer in 2005 to 2007 & Senior Engineering Officer of Incepta Pharmaceuticals Ltd. in 2007.

In 2008, he joined in **WASO** as Sr. Engr. (E.M.E & Air Conditioning Division).



Md. Ariful Islam

B.Sc in Engg. (Civil), KUET
Deputy Chief Engineer

Mr. Md. Ariful Islam is a Graduate in Civil Engineering, From Khulna University of Engineering & Technology (KUET) and Passing Year in 2006. He is efficient in STADD PRO., ETABS, SAFE, GEAR, Auto CAD 2D, 3D Studio MAX, Photoshop, M/S Word, M/S Excel, M/S Power Point, Etc.

He began his Engineering career as Design Engineer in Designing and Planning Cell Ltd and Oriental Real Estate Ltd.

In February 2010, he joined in WASO as Design Engineer.



Md. Noman-or-Rashid

B.Sc. in Engg. (Civil), SUS

Sr. Structural Engineer

Mr. Md. Md. Noman-or-Rashid is a Graduate in Civil Engineering, from Shahajalal University of Science & Technology (Sylhet) and Passing Year in 2009. He is efficient in STADD PRO., ETABS, SAFE, GEAR, Auto CAD 2D, Photoshop, M/S Word, M/S Excel, M/S Power Point, Etc.

He began his Engineering career as Design Engineer in IronBuilt Steel Building Systems Ltd and later on he joined in Bangladesh Building System Ltd. (BBS).

In February 2012, he joined in as Design Engineer.



Mohammad Shafiul Alam

B.Sc in Engg. (Civil), BUET

Sr. Structural Engineer

Mr. Mohammad Shafiul Alam is a Graduate in Civil Engineering, From Bangladesh University of Engineering & Technology (BUET) and Passing Year in 2009. He is efficient in STADD PRO., ETABS, SAFE, GEAR, Auto CAD 2D, 3D Studio MAX, Photoshop, M/S Word, M/S Excel, M/S Power Point, Etc.

In February 2014, he joined in WASO as Design Engineer.



A.M. Zubair-Ul-Mulk

B.Sc. in Engg. (Civil), SUS
Sr. Structural Engineer

Mr. A.M. Zubair-Ul-Mulk is a Graduate in Civil Engineering, from Shahajalal University of Science & Technology (Sylhet) and Passing Year in 2009. He is efficient in STADD PRO., ETABS, SAFE, GEAR, Auto CAD 2D, Photoshop, M/S Word, M/S Excel, M/S Power Point, Etc.

He began his Engineering career as Design Engineer in IronBuilt Steel Building Systems Ltd and later on he joined in Bureau Veritas (Bangladesh) Private Limited.

In November 2015, he joined in WASO as Sr. Structural Design Engineer.



Md. Manzur Alahee

Senior Architect.MIAB-A-222,ISOCARP MEMBER
M.Sc. In Early Childhood Development (BRAC U) in 2018, B.Arch. (KU).

A mindful and rational architect who intends in the realm of the creative arena guided by the influence architectural heritage innate in context & technological development. He has specialization on child friendly dwellings and built form design and implementation.

Residential, Institutional, Health Care, Commercial and Industrial Buildings – He has sufficient knowledge and capable to handle according to individual project merit with enthusiasm.

In March 2018, he joined in WASO as Senior Architect.



Engr. A. Fattah-All-Monjur
Manager

Mr. Engr. A. Fattah-All-Monjur completed his Bachelor of Science in Electrical & Electronic Engineering from American International University- Bangladesh (AIUB) in 2011.

He has joined in WASO in 2016 as Manager.



Md. Saif-ul-Islam Sohag
Sr. Electrical Engineer

Mr. Md. Saif-ul-Islam Sohag completed his Bachelor of Science in Electrical & Electronic Engineering from Dhaka International University (DIU) in 2015.
He has joined in WASO in 2017 as Electrical Engineer.



Engr. Kawser Ahmed
Sr. (IT) Technological Engineer
B.Sc. Engg.

Mr. Kawser Ahmed completed his Bachelor of Science in Electrical & Electronic Engineering from Bangladesh University of Business & Technology in 2015.
He has joined in WASO in 2018 as Sr. (IT) Technological Engineer.



Md. Ahasan Habib
B.Sc. in Engg. (Civil)
Sr. Structural Engineer

Mr. Ahasan Habib is a Graduate in Civil Engineering, from Bangladesh Institute of Technology (BIT) and Passing Year in 2002. He is efficient in STADD PRO., ETABS, SAFE, GEAR, Auto CAD 2D, Photoshop, M/S Word, M/S Excel, M/S Power Point, Etc.

He began his Engineering career as Design Engineer in Abir Construction (December '02 to March '04), Zakaria and Associates Ltd (April '04 to March '12), CS Zaman Architect (April '12 to November 15).

In December 2015, he joined in WASO as a Sr. Structural Engineer.



Engr. Mizanur Rahman

Diploma-In-Civil Engineering.
Khulna Polytechnic Institute
Sr. CAD Operator & 3D Modeler

Mr. Md. Mizanur Rahman is a Graduate in Diploma in Civil Engineering, From Khulna Polytechnic Institute and Passing Year in 1995. He is efficient in Auto Cad operator, Prepare 3ds View Perspective, 3ds Max, Photoshop, M/S Word, M/S Excel, M/S Power Point, Etc.

In June 2011, he joined in WASO as 3d Modeler.



Abul Barakat Mahmudul Majid

Diploma-In-Architecture. (Arch.)
Dhaka Polytechnic Institute
Architect

Mr. Md. Abul Barakat Mahmudul Majid is a Graduate in Architecture Engineering, From Dhaka Polytechnic Institute and Passing Year in 1984. He is efficient in Auto Cad operator, Prepare 3ds View Perspective, 3ds Max, Photoshop, M/S Word, M/S Excel, M/S Power Point, Etc.

In March 2012, he joined in WASO as Architect.



Md. Shamiul Islam

Assistant Architect

Mr. Md. Shamiul Islam completed his Diploma in Engineering From Habiganj Polytechnic Institute in 2014.

In March 2016, he joined in WASO as Jr. Architect.



Md. Azizul Islam

Diploma-In-Architecture. (Arch.)
Kushtia Polytechnic Institute
Chief CAD Operator

Mr. Md. Azizul Islam is a Graduate in Architecture Engineering, From Dhaka Polytechnic Institute (BTEB), Dhaka and Passing Year in 1983. He is efficient in Auto Cad operator, Prepare 3ds View Perspective, 3ds Max, Photoshop, M/S Word, M/S Excel, M/S Power Point, Etc.

In November 2013, he joined in WASO as Design Engineer.



Rameza Akter

Diploma Engineer (Civil)
Sr. CAD Operator

Rameza Akter is a Diploma in Civil Engineer, from Barisal Polytechnic Institute in 2003. She has joined in WASO as CAD Operator in our Organization from March, 2007.



Sabina Yasmin

Diploma Engineer (Civil)
Sr. CAD Operator

Sabina Yasmin is a Diploma in Civil Engineer, from Rajshahi Mohila Polytechnic Institute in 2010. She has joined in WASO as CAD Operator in our Organization from March, 2011.



Md. Amir Hamza

Sr. CAD Operator Structural

Mr. Md. Amir Hamza completed his Diploma in Engineering from Dhaka Polytechnic Institute in 2010. He has joined in WASO in 2016 as CAD Operator.



Md. Mukhlasur Rahman

Sr. Estimator & Site Supervisor

Mr. Md. Mukhlasur Rahman completed his B.Sc. Engineering from World University of Bangladesh (WUB), Dhaka in 2017. He has joined in WASO in 2018 as Estimator & Site Supervisor.



MST. Nahida Rohman

Electrical Engineer

Ms. MST. Nahida Rohman completed her B.Sc. Engineering from Atish Dipankar University of Science & Technical in 2016. She has joined in WASO in 2017 as Jr. Electrical Engineer.



Nazmul Hoda

Diploma Engineer (Civil)
CAD Operator

Mr. Nazmul Hoda is a Diploma in Civil Engineer, from Mymensingh Polytechnic Institute in 2012. He has joined in WASO as Jr. CAD Operator in our Organization from November, 2014.



AKM Mojibul Hossain

Surveyor

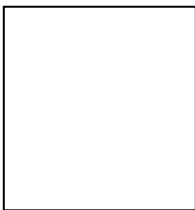
Mr. AKM Mojibul Hossain completed his Survey Final from Comilla in 1978.
He has joined in WASO in 2014 as Surveyor.



Manik Chandra Rudra

Consulting Soil & Foundation Engineer

Mr. Manik Chandra Rudra completed his B.Sc Engineering (Civil) from Engineering College in 1979.
He has joined in WASO in 2015 as Surveyor.



Md. Abdul Khalid

Consulting Soil & Foundation Engineer

Mr. Md. Abdul Khalid completed his B.Sc Engineering (Civil) from Engineering College in 1988.
He has joined in WASO in 2016 as Surveyor.



Foyaz Ahmed Patwary

Manager (Feasibility Preparation Department)

Mr. Foyaz Ahmed Patwary obtained his Masters degree in Commerce from Dhaka University in 1994. He has served as Accountant in Sinha Group in last 08 years.

He has joined in WASO in 2003. He is serving here as Manager (Feasibility Preparation Department).



Ariful Islam

Assistant Manager (Feasibility Preparation Department)

Mr. Ariful Islam obtained his Masters degree in Accounting from Dhaka College in 2007.

He has joined in WASO in 2016. He is serving here as Assistant Manager (Feasibility Preparation Department).



Rowshanara Akhter (Renu)

Sr. Financial Analyst

Ms. Rowshanara Akhter (Renu) completed her MBA in Marketing from Northern University, Bangladesh in 2013.

She has joined in WASO in 2016 as Financial Analyst.



Tasnuva Munjalin Khan
Sr. Executive Officer (Admin)

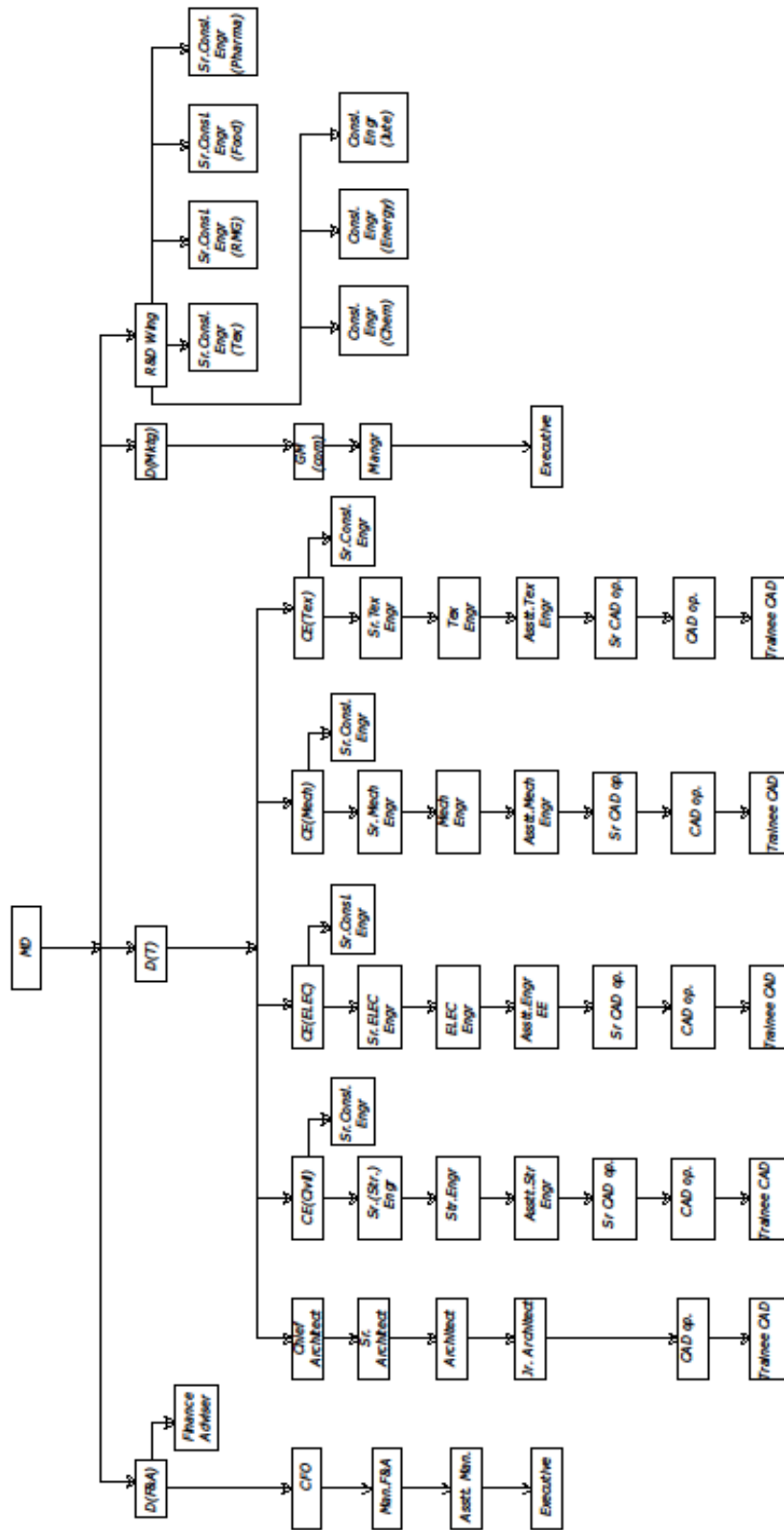
Ms. Tasnuva Munjalin Khan completed her MA Final from Eden Mahila College, Dhaka in 2016. She has joined in WASO in 2018 as Sr. Executive Officer (Admin).



Atrina Islam
Executive (Accounts)

Ms. Atrina Islam completed her MA Final from Mohammadpur Central University, Dhaka in 2016. She has joined in WASO in 2019 as Executive (Accounts).

Organogram



Technical Expertise & Services Provided:

Present Staff Resources are as under:

The key professionals of **WASO** Engineers & Consultants (BD) Ltd are outstanding & reputed in their respective field & most of them have overseas experiences & or degree. **WASO** Engineers & Consultants (BD) Ltd maintains contact with a good number of highly qualified consultants of different scientific & professional institutions. The multi-disciplinary staff numbers are organized in different sections according to their field of activities. Distribution of staff resources is presented in below.

Staff Resources as on January, 2011

SL no	Expertise:	Total no
1.	<u>Existing Professionals</u>	
a.)	Structural Engineer	4 nos
b.)	Mech. Engineer	1 nos
c.)	Electrical Engineer	3 nos
d.)	Chemical Engineer	2 nos
e.)	Textile Engineer	2 nos
f.)	Architect	3 nos
g.)	Management Specialist	1 nos
		<hr/>
		Sub Total: 16 nos
2.	<u>Supporting Staff</u>	
a.)	Auto CAD, 2D-3D	4 nos
b.)	Sub-Assistant Engineer/ Dip. Architect	2 nos
c.)	Computer Operator	4 nos
d.)	Administration	5 nos
e.)	Drivers	4 nos
f.)	Office Peon	2 nos.
		<hr/>
		Sub Total: 21 nos

Existing Professional 16 nos. + Supporting Staff 21 = Total Manpower 37 nos.

- **Valuation Surveyor : 6 nos.**

ARENA OF WASO SERVICES IN NUT SHELL

Virtually, we can provide total consultation services (**from concept to commercialization**) to Industrial project of various sectors from Cost-benefit analysis to commercial production to include all sorts of Architectural, Structural, MEP & fire Drawing & drawing-design etc whichever needed.

Our achievements in Nut-Shell are as under:-

01. We have conducted more than **4000** Feasibility Study Reports in multi sectors of Industries.(About-**100+** Types)

02. We have also completed more than **700** Industrial projects from **2000** year to **till date** Providing A to Z Consultation Services (Concept to commercialization).

03. We have provided Credit Rating Services to more than **9000** client by our sister concern (WASO Credit Rating Company (BD) Ltd).

This Credit Rating company was licensed by Bangladesh Securities & Exchange Commission (BSEC) & recognized by Bangladesh Bank as an ECAI (External Credit Assessment Institution) in 2012 year.

We can prepare professional Feasibility Study Report / Project Profile on various Profitable Projects having remarkable demand & supply Gap.

Virtually, we always provide services to said projects from initial stage to commercialization as follows:-

- Cost Benefit Analysis
- Feasibility Study Report/Project Profile.
- Master Plan.
- Machinery Layout Plan as per compliance.
- All sorts of Architectural Design & Drawing.
- All sorts of Structural Design & Drawing.
- Mechanical , Electrical & Plumbing (MEP) Design & Drawing.
- Assistance in Machinery Selection.
- HVAC Design & Drawing.
- Fire Detection & Protection Design & Drawing.
- Total Estimation of the project followed by BOQM in details.
- Periodic Top Supervision / Close supervision of the project during execution.

Generally we provide A to Z Consultation services to the following projects:

Sl. No.	Description of Project
A.	Textile & Garments
01.	1,00,000Mtr /Day Production capacity Composite Denim Fabric manufacturing Plant Spinning to RMG (Various types). Input: Cotton. Output: RMG.
02.	A composite Non Denim / Woven Plant from Spinning to RMG (Various Types) 1,20,000 MTD Capacity. Input: Cotton. Output: RMG.
03.	Knit Composite Project Starting from Spinning to RMG. Input: Raw Material. Output: RMG.

04.	15 Ton/Day capacity Spandex Manufacturing Plant.
05.	Specialized Spinning Project (Like TC/ PC/ CVC) (50,000 Spdls)
06.	Specialized Spinning (Like Cotton/ Viscose Milange) Starting from Fiber Dyeing. (50,000 Spdls)
07.	Geo Textile.
08.	Technical Textile.
B.	General Chemicals
01.	60 TPD H ₂ O ₂ manufacturing plant.
02.	100 TPD capacity Caustic Soda Manufacturing Plant.
03.	300 Metric Ton / Day Capacity Salt Plant.
04.	2000 Metric Ton / Day Capacity Sugar Plant.
05.	Caustic Soda (120 TPD) & PVC Resin (160 TPD) manufacturing from byproduct of Caustic. (Cl ₂).
06.	Activated Carbon (10 TPD)/ Charcoal/ coconut oil (30 TPD)/ coconut milk (60 TPD) manufacturing Plant.
07.	Ammonium Carbonate Plant.
08.	Epoxy Paint Plant (Mixing & Packaging).
09.	Acetylene Plant
10.	60 Ton/Day Capacity Sodium Silicate Manufacturing Plant.
11.	Heavy Soda / Soda Ash Manufacturing Plant. 300 TPD capacity by product. 300 TPD Ammonium Chloride.
12.	HCl / Paraffin Wax / Sodium Hypochloride / Bleaching Powder manufacturing Plant.
13.	Di-calcium phosphate manufacturing Plant (10 TPD).
14.	100 TPD Capacity Sodium Sulphate Manufacturing Plant By Product: 130 MT/Day Hydrochloric Acid (HCl)
15.	Textile Dyes & Chemicals Manufacturing Plant (50-100 TPD)
16.	PSF Plant (400 TPD) continuous polymerization process
17.	Acetic Acid Plant
18.	A multipurpose chemical project (40-50 TPD)
19.	Sulphuric Acid manufacturing Plant (50 TPD)
C.	Petro- Chemical Project
01.	1,00,000 M Ton/Year Production capacity PVC Resin manufacturing Plant from VCM.

02.	300-400 Metric Ton / Day Capacity PSF Plant. (Starting from MEG & PTA to Yarn / PET Chips)
03.	A composite petro chemical plant for production of 1,00,000 MTPA of PVC Resin as main product. By product of 1)Caustic Soda = 227 tpd 2) H2O2. = 151 tpd 3) LPG = 43 tpd 4) Crude gasoline= 103.93 tpd. 5) Cracked fuel oil= 16.69tpd 6) Hydrochloric acid =44.5tpd 7) Polypropylene= 63.3 tpd
04.	5000 BPD Capacity of Petroleum Refinery Plant (From NGC / Crude Oil).
05.	300-400 TPD Capacity PSF / POY / FDY/DTY/ PET Chips Plant.
06.	1000 TPD Capacity Viscose Manufacturing Plant.
07.	13000 Metric Ton / Year capacity of Aluminum Foil manufacturing Plant.
08.	36000 MTY LPG Gas Bottling Plant.
D.	Leather & Footwear
01.	10,000 Pairs/Day production capacity Sports Footwear Project.
02.	A Most Modern Tannery Project.
03.	Synthetic Leather Manufacturing Plant.
04.	A Composite Footwear & Leather Craft manufacturing plant (including necessary accessories)
E.	Glass & Ceramics
01.	300 Metric Ton/Day capacity Float Glass Manufacturing Plant.
02.	Ceramic Project (Table ware/ Sanitary ware/ Floor ware)
03.	Artificial Marble Manufacturing Plant.

F.	Health Care , Pharmaceutical & Food
01.	Diagnostic/ Hospital / Medical College / Nursing Institute etc, All together (250 Bed Hospital).
02.	Mega Shop/ Chain Shop/ followed by related Food Industry.
03.	Pharmaceuticals Ingredient manufacturing Plant.
04.	Pharmaceutical Chain Shop.
05.	Specialized Cancer Hospital
06.	Specialized Cardiac Hospital
07.	A Complete Diagnostic Centre
G.	Infrastructural Project
01.	Convention Hall/ Center.
02.	Economic Zone
03.	Cement Mills 10,000MTD Capacity (VRM Technology based)
04.	Most modern Steel & Re-rolling Mills Project.
H.	Miscellaneous Projects
01.	Bi-cycle manufacturing plant.
02.	Galvanized Steel Manufacturing Plant
03.	Theme Park/Convention Hall/Community Centre.
04.	Home Appliances manufacturing Plant. (Fridge / Tele-vision / Air Conditioner etc)
05.	High Tension Power Cable manufacturing Plant.
06.	Technical Textile Products Manufacturing Plants.
07.	School, College & University.
08.	Jute & Jute diversified product manufacturing Plant.
09.	200-300 MTD Paper (writing/printing/Industrial grade).

Details of Consultation Services:

A. Factory Planning:

- 1 Cost Benefit analysis for the desired Industrial project.
- 2 Feasibility Study Report/Project Profile (PP) for Bank Use/BIDA use.
- 3 Design of Master Plan & Machine Layout as per compliance
 - Master Plan showing all sorts of building / shed & other related infrastructures as per compliance.
 - Detail Machinery Layout plan showing position.
 - Road & Aisles Layout
 - Internal wall and partition details (if required)
 - Doors and windows positions
 - Eye wash position
 - Drinking water position
 - Toilet position and quantity as needed
 - Stairs Position
 - Position of By cycle parking, shower room, wastage room, car parking area, green area etc.
- 4 Preparation of Technical Specification of the process & Utility Machinery.
- 5 Vetting / Checking of Machinery Specification suitable for desired production.
- 6 Overall synchronization / co - ordination of plant & Machinery (Process & Utilities).

B. Architectural Drawing & Design

- 1 LGED/ Pourosva Approval Drawing as per recent circular by the Govt. of Bangladesh.
- 2 Necessary Architectural Drawing & Design
 - Preparation of conceptual architectural plan for approval from client
 - Preparation of final architectural plan as per approval
 - Designing of detail architectural plan, elevation, section with fittings and Fixtures etc.
 - Preparation of architectural construction drawings
- 3 Land Scaping along with 3D perspective view as per needed
 - Drawing a plot plan of the property
 - Completing a site analysis and assessing needs
 - Determining use areas

C. All Engineering Drawing & Design

- 1 Necessary Structural Drawing & Design as per BNBC, Guide line & Also as per Accord/Alliance/requirement
 1. Super Structure
 - Column
 - Typical floor beam
 - Lift Core
 - Overhead water reservoir
 - Machine Room
 2. Sub Structure
 - Underground water reservoir. Underground water reservoir for Commercial and firefighting use
 - Septic Tank design
 - Foundation & Footing Design
 - Pile & Pile cap (if needed)
 - Grade beam
 - Water harvesting design

- Sewerage Treatment Plant design
- Design report as per ACCORD/ALLIANCE requirement (If needed)

2 Plumbing & Sanitation Design

- Designing of underground drainage layout with silt taps, sedimentation chambers and sand filters (if required)
- Designing of sanitary pipe layout for better and efficient usage
- Designing of water supply pipe layout to minimize the wastage of water
- Designing of roof tank pipe joint detail
- Designing of waste water disposal pipe layout to re-use for flushing, gardening and other purposes
- Designing of Sewerage Treatment Plant (if needed)
- Designing of rainwater harvesting plant (if needed)
- Designing of rainwater disposal plan on roof for re-uses (If needed)
- Designing of water distribution plan on roof (If needed)
- Designing of sanitary pipe joint detail for reducing water requirements
- Preparation of BOQM (If needed)

3 Electrical Design & Drawing

- Designing of electrical fitting & fixtures layout
- Designing of electrical system separately for metering of lighting, process and HVAC loads (if any)
- Designing of task light system
- Designing of electrical wiring and power distribution design
- Designing of electrical conduit layout
- Designing of legend, Note, Schedule of Conduit & Cables etc.
- Designing of electrical fitting & fixtures layout
- Designing of fitting, fixtures and Conduit layout for Telephone & Intercom system
- Designing of electrical Circuit Diagram
- Preparation of lightning arrestor and earthing design
- Preparation of external lighting design to minimize power consumption
- Total electrical load Calculation (SLD)
- Designing of Single Line Diagram
- LA Protection Scheme
- Lighting design for interior lighting/Exterior also
- Preparation of electrical design report based on description of power distribution system, wiring regulations etc.

4 Mechanical Design & Drawing

- 1 Designing of Compressor plant & its piping network
- 2 Designing of Boiler Plant
 - Piping system
 - Steam and pressure calculation
- 3 Force Ventilation System
 - Designing of cooling system covering with description of the system, ventilation and thermal comfort regulation followed, occupancy, volume and air turn, basis of design
 - Design calculation
 - Preparation of a system design report of cooling system (if any)
- 4 Air Condition Designing
 - Designing of VRF system (if required)
 - Designing of chillier system (if required)

- Designing of air conditioning system (if needed)
- Total load calculation(if any)

5 Fire Safety Drawing

- Fire risk assessment
- Project designing in terms of fire protection and detection system
- Designing of stand pipe and fire hydrant system
- Designing of pillar hydrant system
- Schematic diagram of fire hydrant
- Designing of riser diagram
- Estimation of BOQ (if needed)

6 Providing Fortnightly work process report to ensure that-(i) work is going on as per the time schedule or not and (ii) quality of work and material used are in line with work order or not.

7 To ensure the quality of work conduct necessary testing from proper authority. Cost of such testing will be borne by client.

8 Top Supervision of the project during Execution

9 Close supervision of the construction site during execution(optional)

D. Consultation Service on Green Building / Factory

1 Our Foreign Part Fees. (Conserve Consultants, India)

2 USGBC Fees.

3 Additional Fees for WASO

4 We also do LEED Green Building in association with Conserve Consultants, India. Necessary consultancy fees &LEED cost may be quoted on request.

ARENA OF OUR INDUSTRIAL PROJECTS IN DETAILS:

Starting from Feasibility Study to Commercial Production:

A.TEXTILE & JUTE (BACKWARD LINKAGE)

01. Textile Spinning (Various types & Categories)
02. Woven Composite(Spinning, Weaving, Dyeing, Printing, Finishing & Garments)
03. Knit Composite(Spinning, knitting, Dyeing, Finishing, Printing & RMG)
04. Composite Home Textiles (Spinning, knitting, Spinning, Dyeing, Finishing, Printing & RMG)
05. Composite Denim, Indigo & Rope both(Spinning, Dyeing, Finishing, Printing & RMG)
06. Yarn Dyeing
07. Terry Towel
08. Regenerated Textile Spinning Fibers Plant
09. PP (Poly Propylene) Yarn Manufacturing Projects
10. Jute Mills (Jute Spinning & Weaving both)

B. GARMENTS AND WASHING PLANTS

01. Ready Made Garment(knit/woven/lingerie/suit/others)
02. Ready Made Garments accessories and others.
03. Under Garments for Ladies(Lingerie items)
04. Embroidery
05. Sweater Factory
06. Shocks Knitting Factory
07. Washing Plant
08. Seamless Knitting

C. Petro- Chemical & Chemical Plant

01. Polyester Staple Fiber manufacturing plant (PSF & PET Chips manufacturing)
02. PVC Resin manufacturing plant.
03. Caustic manufacturing plant.
04. H₂O₂ manufacturing plant.
05. Caustic & PVC Resin manufacturing plant.
06. Petroleum Oil Refinery from NGC / Crude oil.

D. HEAVY ENGINEERING AND POWER PLANTS

01. Steel & Re-rolling Mills
02. Pulp & Paper Mills
03. Ceramic (Table ware/Floor ware/Sanitary ware etc.)
04. TSP Fertilizer Factory
05. Sugar Refinery
06. Auto Brick Manufacturing Projects
07. LPG Storage & Bottling Plant.
08. Power Plant (Coal,Gas,Diesel,Solar fuel based)
09. Tire manufacturing Plant (Bus, Truck & Car etc.)
10. Fishing Vessel & Oil Tanker
11. Heavy Duty Automative & Solar Battery Manufacturing Plant
12. Custom Container Terminal Project
13. Plastic Product Manufacturing Plant
14. Ship Building Industry
15. Motors & Home Appliance Project(TV,Fridge,Motor Cycle etc)
16. Cement Factory
17. Steal Tower manufacturing Plant(Power line, Mobile operator line etc)
18. Activated Carbon/ Charcoal Manufacturing Plant.
- 19 Refinery (Edible oil).
- 20.. Port And Terminal Design & Planning.

E. FOOTWEAR & LEATHER CRAFT

01. 100% Export oriented Footwear project up to product Development
02. Export Quality Tannery Project
03. Rubber Project(shoes accessories)
04. Leather Finishing from crust leather to finished leather.
05. Sole Making Plant.

F. PHARMACEUTICALS, FOOD & BEVERAGE

01. Pharmaceutical Industries of various grades
02. Hospitals/Medical College/Diagnostic centre
03. Diaper Manufacturing Plant
04. Various kinds of Food, Beverage, Juice plant & Mango pulping Industries
05. Mineral Water Plant
06. Rice Bran Oil (Edible Oil) Manufacturing Plant & Rice Mill
07. Surgical /Absorbent Cotton manufacturing project
08. Sweetened Condensed Milk
09. Dairy Plant-Liquid Milk (UHT Milk, Pasteurized milk, Mango Milk, Chocolate ,Ghee, Cheese.
10. Dairy Plant – Full Cream Milk Powder(FCMP), Skimmed Milk Powder(SMP) (Associated with liquid milk plant)
11. Juice Plant (PET bottle) associated with.
12. Plastic Bottle and cap making plant

13. Juice (Tetra Pak)
14. Drink(Synthetic)- Lychee drinks, Orange drinks, Mango drinks in plastic bottle
15. Carbonated Soft Drinks-CSD product-in plastic bottle—associated with Plastic Bottle and cap making plant
16. Mineral Water plant – associated with Plastic Bottle and cap making plant
17. Candy- deposited (milk candy, orange candy, lychee candy, mango candy, coffee candy etc)
18. Powder Drinks- Orange powder drinks (like Tang), mango powder drink, lemon powder drinks
19. Powder Milk Packaging Plant
20. Spices Plant
21. Cup jelly
22. Pickle with auto filling machine
23. Mango bar
24. Aata, Moida, Suji
25. Re-packing of Full Cream Milk Powder (Imported from Denmark,Australia, New Zealand, Netherlands)
26. Energy Drinks
27. Potato Chips
28. Noodles (cake noddles like)
29. Biscuit
30. Mango Pulping
31. Chanachur
32. Edible Oil Mill
33. Dalda
34. Dal Mill
35. Flour MILL
36. Mustard Oil
37. Starch Manufacturing Plant.
38. Yeaster Manufacturing Plant.

G. Agro based project.

01. Poultry Firm.
02. Poultry & Fish feed plant.
03. Fisheries & Hatcheries project.
04. Dairy Project.
05. Pasteurizing Milk Plant.
06. Powder Milk Plant.
07. Meat Processing Plant.
08. Cattle Fathering.
09. Shrimp Farming.
10. Food processing.
11. Fishing VESSEL.

H. MISCELLANEOUS

01. 5-Star Hotels and others.
02. Theme park & Resorts.
03. School/College/University/Medical College/Nursery Institute.
04. Economic Zones(Under BEZA guide line)
05. Gold/Jewelry Shop.
06. Various retail shop.
07. Newspaper/Electronic Media/Radio.
08. Silicon Manufacturing Plant.
09. Synthetic Leather Manufacturing Plant.

10. Flexible Packaging Plant.
11. PP woven bag manufacturing Plant.
12. Cartoon Manufacturing Plant.
13. Fly Ash Brick Manufacturing Plant.
14. Potato Cold storage project.
15. Specialized Cold Storage Plant.(like Fruits, Fish, Garlic, Zinger etc)

Enlistment in Various Organization:

1. Enlistment as Task Force on Structural DEA for RMG Factories under Department of Inspection for Factories & Enterprise (DIFE) Vide Memo No: কা:/টে:ক:আরএমজি/২০১৪/২৫৭/ম:পরি:/ dated on 01.06.2015).
2. Enlistment as Technical Assessor for providing Soft loan/Grant to RMG Factories to perform retrofitting works in JV with TUV SUD (BD) Ltd.
3. Enlistment with ALLIANCE-USA to perform DEA Reports on RMG Factories.
4. We have done DEA Works of RMG Factories under guidance of ACCORD-UK also.